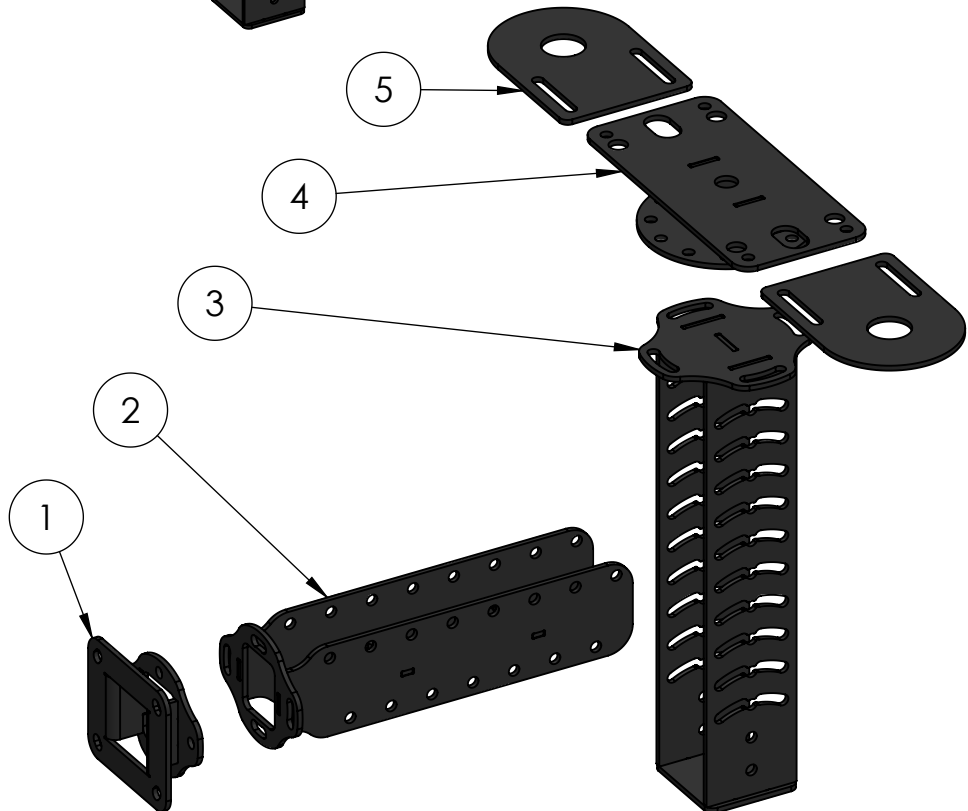
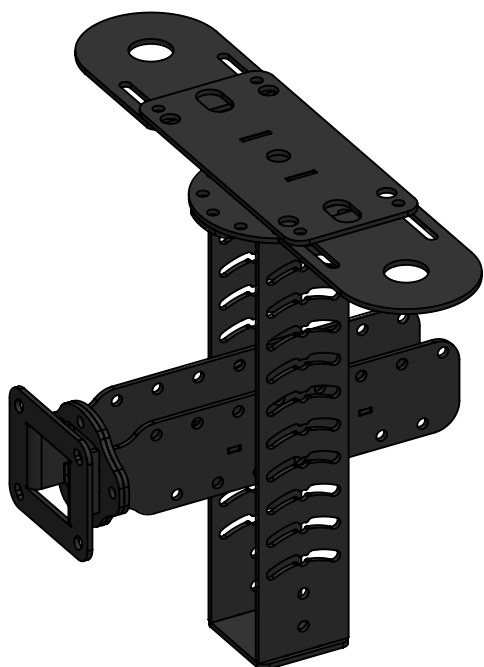
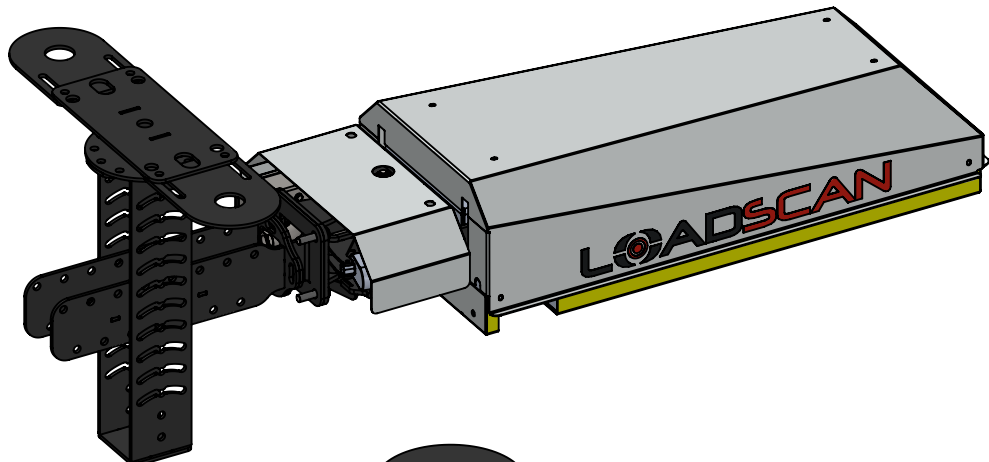


ITEM NO.	part number	DESCRIPTION	revision	QTY.
1	2004-1	MPS CMX scanhead bracket	B	1
2	2004-2	MPS CMX lower bracket	A	1
3	2004-3	MPS CMX upper bracket	A	1
4	2004-4	MPS CMX roof bracket	B	1
5	2004-5	MPS CMX extension plate	A	2



DO NOT SCALE Dimensions in mm	 3rd Angle PROJECTION	Drawn by: <b>Brad Webb</b>	Description: MPS CMX bracket	Revision: <b>B</b>	Drawing Scale: <b>1:8</b>	www.LOADSCAN.com <b>LOADSCAN</b> <sup>®</sup> LOAD VOLUME SCANNER 27 Earthmover Crescent, Hamilton, New Zealand Tel: +64 7 847 5777 Fax: +64 7 847 4807	
		Drawn Date: <b>19/07/2021</b>	Drawing Number: <b>2004</b>				Sheet: <b>1 of 1</b>
		Approved by:					

Comments: Revision updates, part added