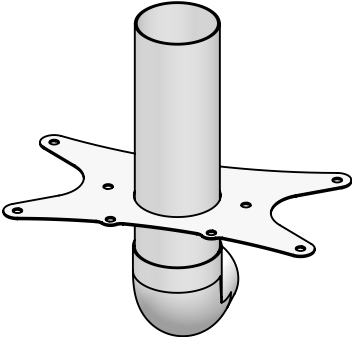
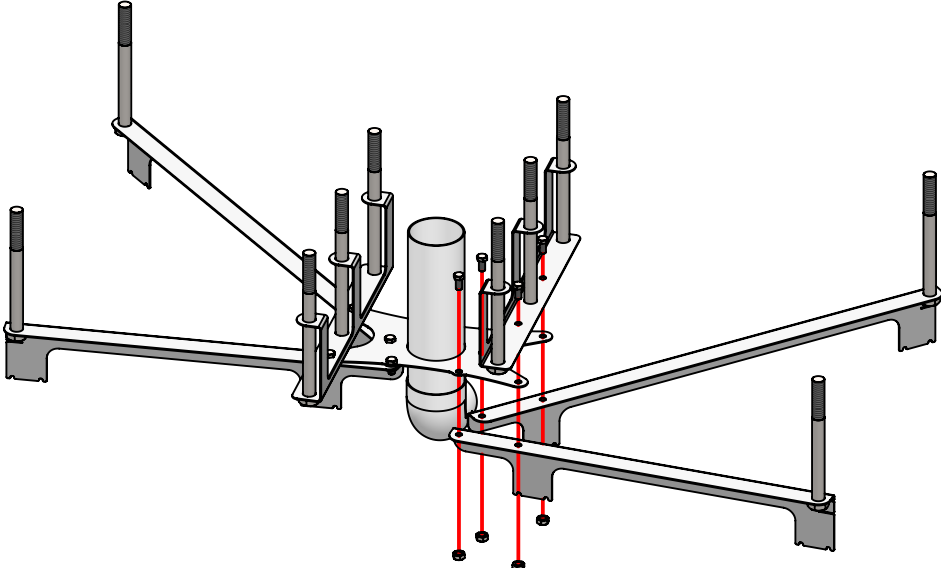


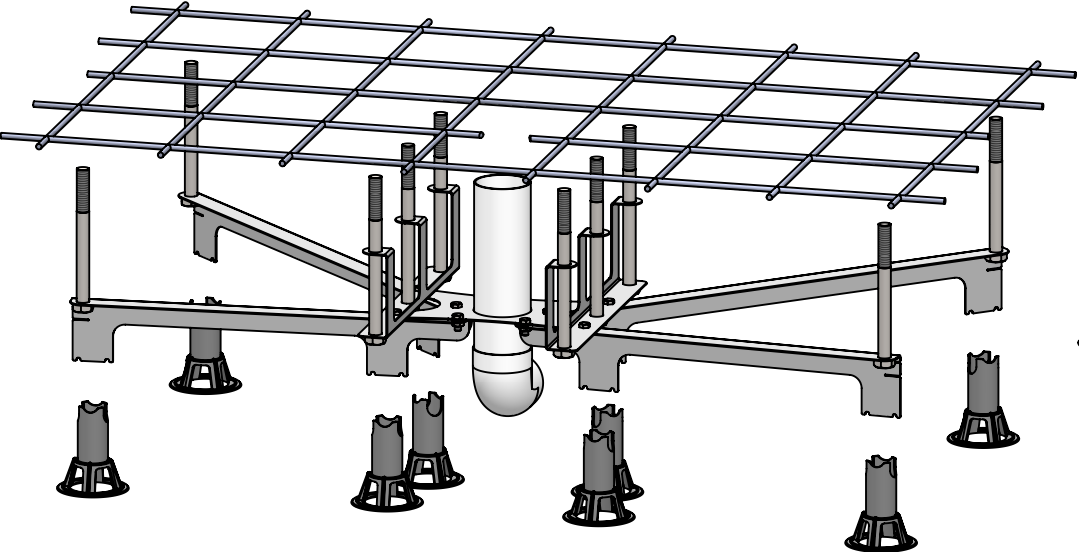
Concrete block kit set



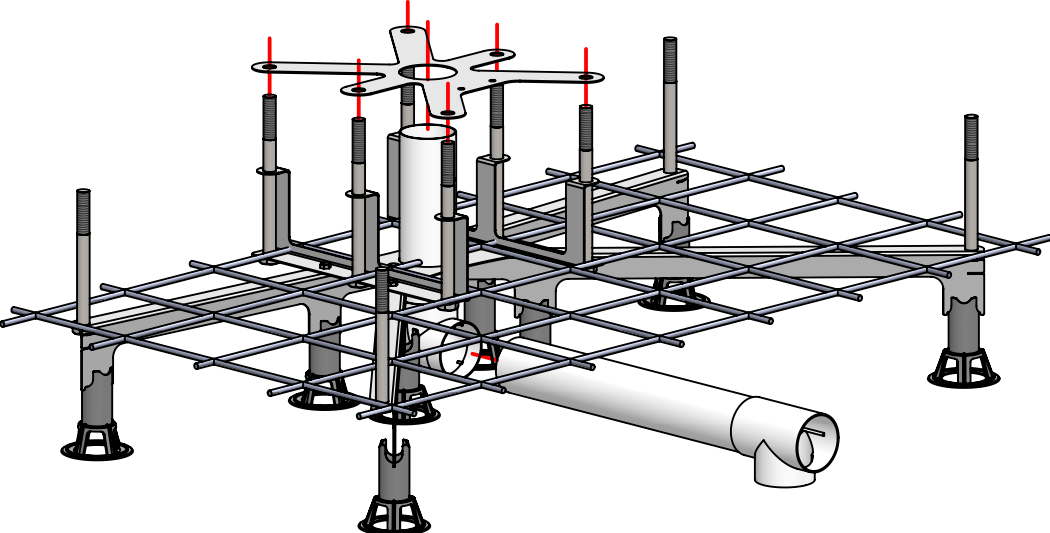
Slide the shorter PVC pipe through the centre plate with the elbow at the bottom.



Bolt the legs and pole mounting bolts to the centre plate. The shorter legs go at the front and the longer legs go at the back of the block.



Place the frame on top of the concrete chairs making sure that the frame sits in the lowest part of the chairs. Place reinforcing mesh (must be SE92 reinforcing mesh or equivalent which is not included) on top of the kit set frame.



Slide the upper alignment plate onto the PVC pipe and down onto the six M20 bolts until it sits on the risers. Insert the horizontal PVC pipe into the PVC elbow with the "T" piece facing downwards, it is recommended to glue these together.

Last saved: 5/08/2022
 Drawn by: Brad Webb
 Dimensions in mm

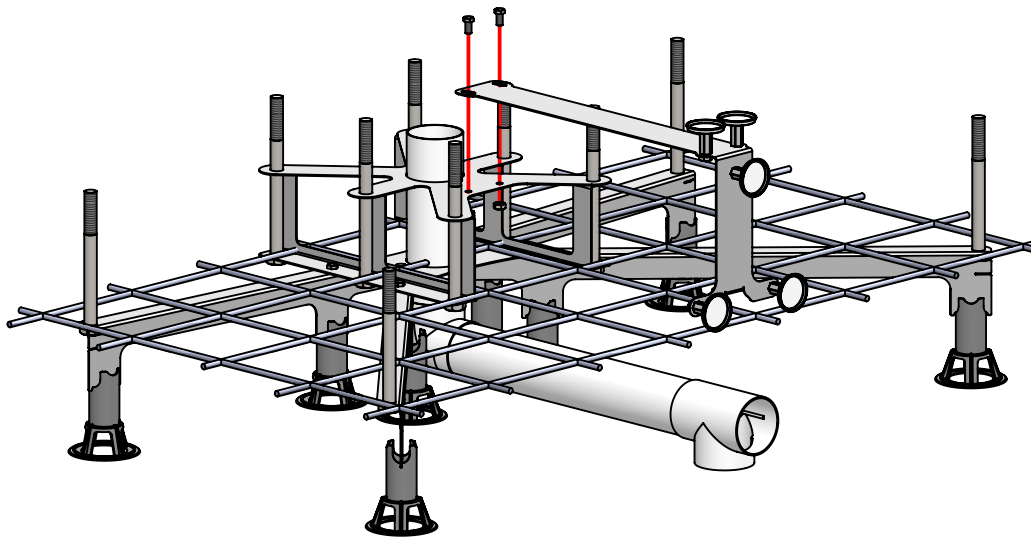
Description:
 Concrete block kit set

Drawing Number:
 1768

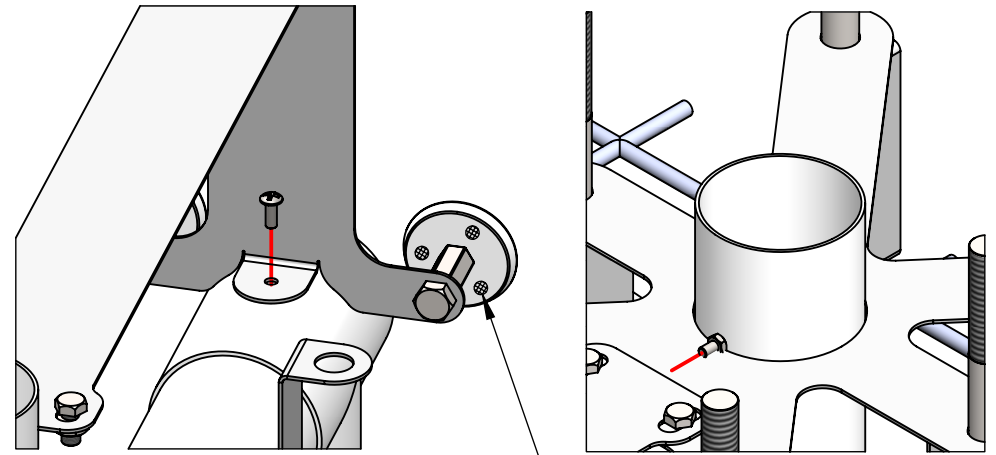
Revision: **D** Sheet: 1 of 2



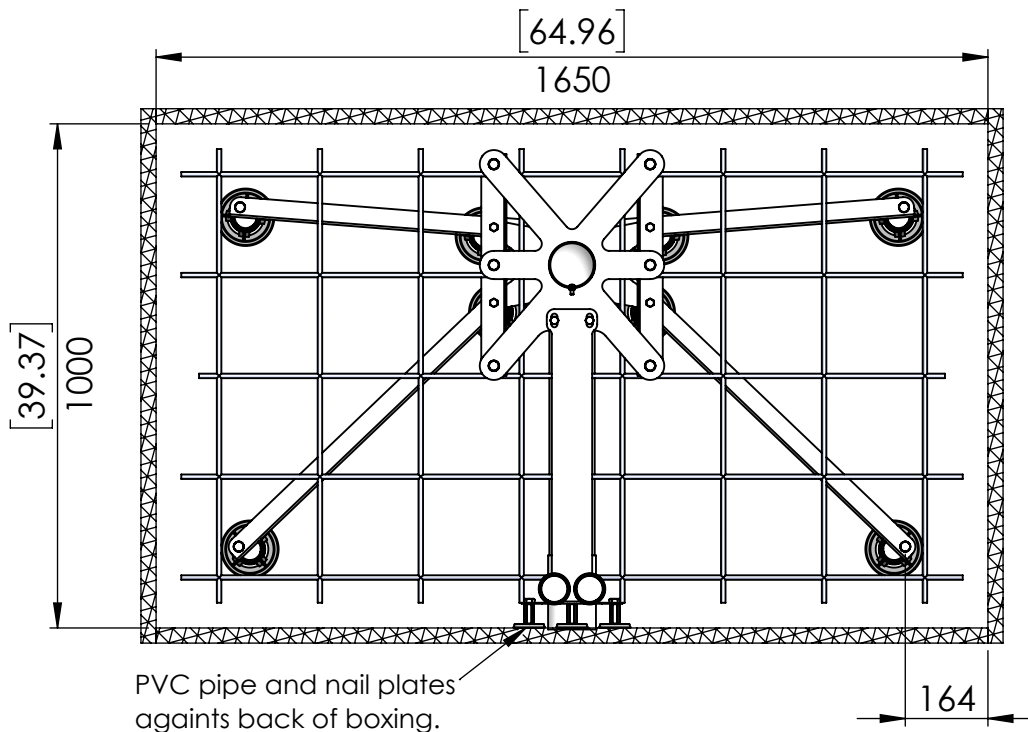
Comments:



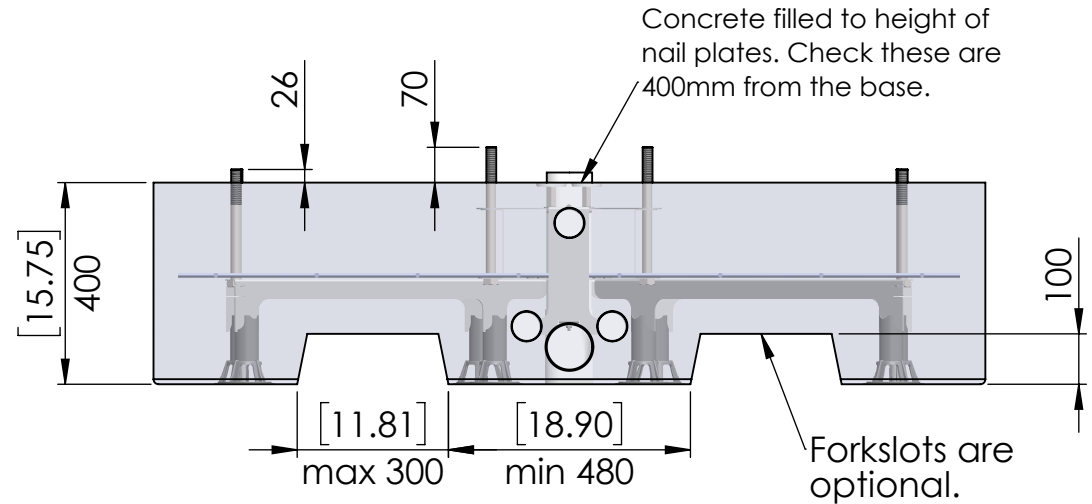
Bolt the kiosk bracket plate to the upper alignment plate so the back of it rests on top of the PVC T-jointer. Attach the kiosk bracket plate to the PVC pipe as shown in the detail views. Bolt the nail plates to the kiosk bracket plate so that they face outwards.



Nail through nail plates to secure them to the boxing.



PVC pipe and nail plates againsts back of boxing.



Concrete filled to height of nail plates. Check these are 400mm from the base.

Forkslots are optional.

Centre the frame within the boxing and push the frame until the PVC pipe and the back nail plates are up against the boxing. Nail through the nail plates and into the boxing to hold the PVC pipe in place.

The boxing must be filled with concrete to a height of 400mm, this is critical to ensure the mounting bolts stick out the correct amount. (Approximately 0.66m³).